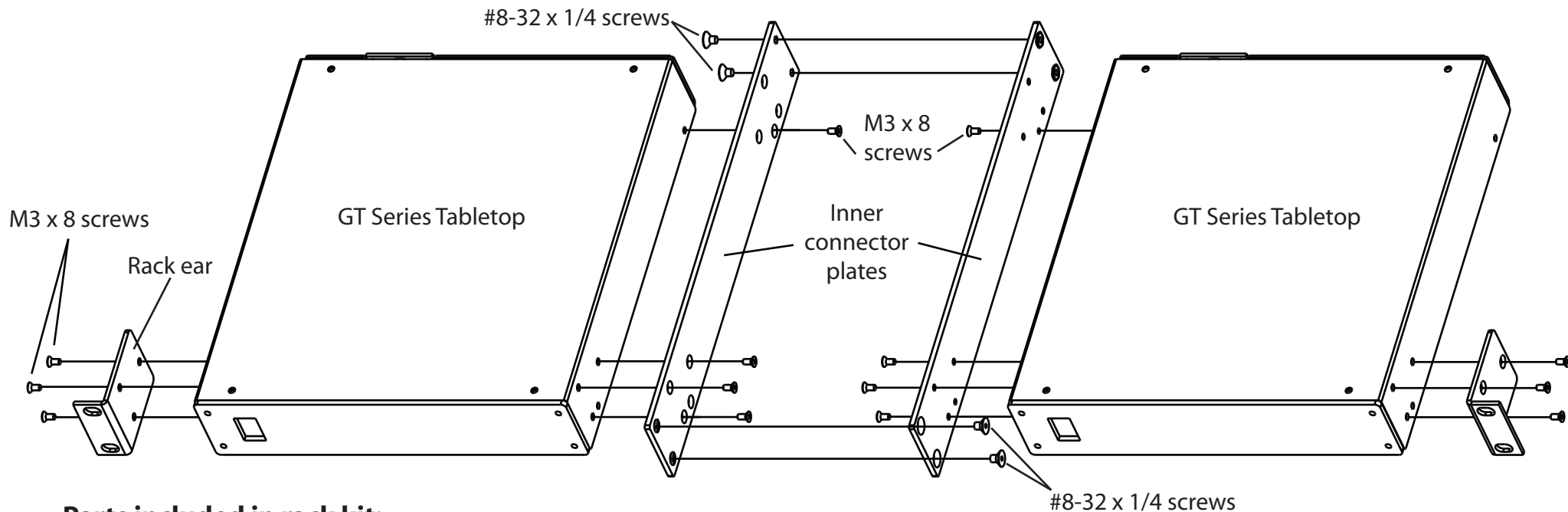


# Assembly instructions for Two-Drive Rack Mount Kit



## Parts included in rack kit:

- (14) M3 x 8 phillips head screws (silver)
- (4) #8-32 x 1/4 phillips head screws (black)
- (2) Inner connector plates
- (2) Outer rack ears

## Instructions for assembly:

**1.** Attach 1 rack ear to outside of both tabletop drives using M3 x 8 screws. Both ears are identical and can be attached to either drive. You will need three screws per rack ear. See illustration above.

**2.** Attach inner connector plates to the inside of each tabletop drive using M3 x 8 screws. You will use three screws for the front of each connector plate. Both plates are identical and can therefore be used on either drive. When connecting the plate, make sure you have the countersunk side facing out - the screws should bite into the tabletop chassis and be flush with surface of connector plate when you are done. Also make sure that the rear hole lines up with the hole in the chassis, if you choose to install this screw. See next step and illustration above.

**3.** It is easy to accidentally reverse the plates as you will see with this step. It is optional to connect the rear of the plate to the rear of each chassis. The rear screw adds more stability to the rear of the chassis and is not necessary, although it may be helpful in situations where the rack is subject to vibration. To do this, first remove the TORX screw that holds the lid to the chassis. Then replace this TORX screw with one of the M3 x 8 screws included in the rack kit. You will need a TORX T10 driver to remove the screw, TORX drivers are available at most hardware stores.

**4.** The final step is to attach the two chassis together. Place them on a flat surface side by side. Attach the two inner connector plates together using two #8-32 x 1/4 screws on the front, and two on the back of the chassis, as shown in the illustration above. Again, make sure you have the countersunk side facing out.